

Steel Buildings RV Ports / Carports

**BUILDING SIZES UP TO 50' WIDE
 AND ANY LENGTH**



20x25x9 w/ 16x7 Sectional



20x50x14 RV Port



30x50x12 w/ 12x10 Sectionals



30x30x10

**Lecanto
 527-3500**



12x30x12

**Dunnellon
 489-2000**



30x40x15

**Homosassa
 628-3000**



20x20x9

**Ocala
 237-5000**



30x30x14 - 3 Sided

**Williston
 528-8000**

**Leesburg
 365-6000**

2"x3" Steel Tube Framing- Start with Superior Strength

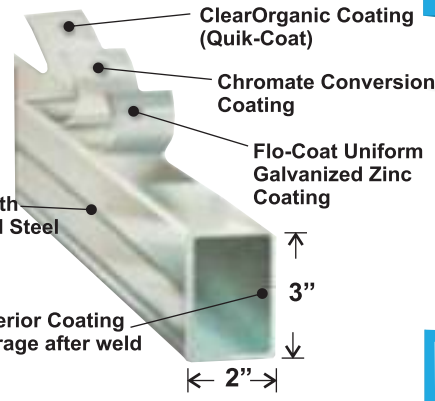
• Probuilt Structures buildings are engineered to the Florida Building Codes using the highest quality, cold rolled, hot dipped galvanized, All American Made Steel tubing, assuring you a structure that will withstand the test of time.



• The backbone of the buildings we provide is the 2"x3" 14 gauge tubular steel used for the framing. This is cold formed steel providing industry leading strength of 50,000 PSI Yield, and a 55,000 PSI Tensile strength.

• Why does this matter? Some Steel Suppliers provide cheaper tubing products that appear the same, but are an inferior product with far less strength, and much cheaper to buy.

• Why 2"x3" instead of square tubing? The reason is similar to why you would build a house with 2x4s instead of 2x2s. Consider the difference between a 2x4 stud and a 2x2 stud.



• When laying flat, the 2x4 will bend along the 2" side, but when standing on edge, the 2x4 is far more rigid and has much more strength and will not bend nearly as much, providing stronger support. The 2x2 stud will bend the same in both directions, with no orientation providing more strength than another. Similarly, manufacturing the interior frame structure using 2"x3" steel tube with the 3" edge as the structural support provides a stronger and more wind resistant frame for the building. Some manufacturers offer a 12 gauge "upgrade" to their frame tubing in an effort to compete with the 2"x3" tubing provided in Probuilt Structures buildings.

Weld Connections

Probuilt Structures requires all base rail and truss inserts to be welded a full 360 degrees around, ensuring a stronger connection with more integrity. On 2"x3" tubing this equals a full 10" of weld strength.



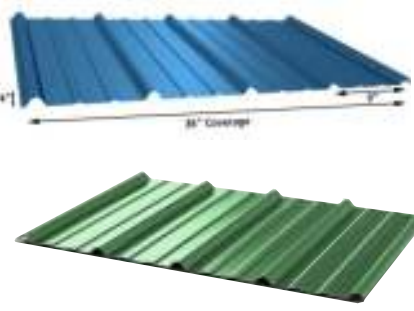
Trusses

Probuilt Structures offers buildings up to 50' wide with clear span Pre-engineered A-frame webbed truss designs on buildings over 22' wide. These conventional triangular designs carry more load than non-webbed trusses.



Roof & Side Sheeting

Available in numerous colors, the roofing and siding panels are Florida Product approved standard 29 gauge or optional 26 gauge sheeting. The sheeting manufacturer offers a 40 year limited warranty on the panels, giving the owner assurance of longevity.



30x60x14 w/ 10x14 Sect.



24x35x11



30x60x12 w/ 8x8 Door



20x24x9

Hat Channel Purlins

On buildings with Vertical Roofing or Vertical Siding, the 18 gauge hat channel purlins that connect the roofing and siding panels to the frame are superior to the 20 gauge purlins competitors use. They are referred to as "hat" channel because the end profile looks like a hat. Probuilt Structures takes great pride in utilizing the best products available.



Ridge Cap & Boxed Eaves

Structures with vertical roof designs have a ridge cap as well as boxed eaves on the gable rake and roof eaves, giving the building a more classic finished look.

*Horizontal roof designs do not require a ridge cap, and open carports do not require boxed eaves.



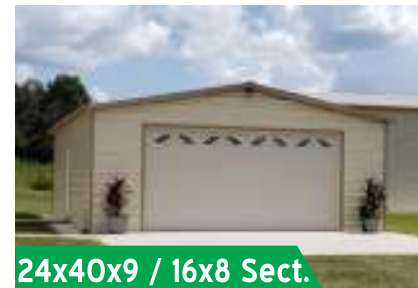
24x30x8

Garage Doors

Probuilt Structures provides both Sectional Garage Doors as well as Roll Up Coil Doors for your building in many sizes. Sectional doors come in white with standard raised panels, but can be ordered in other colors and panel designs. Various designs of glass inserts are also available in Sectional Doors, as well as optional garage door openers. Coil doors come corrugated, in standard white. Garage doors can be located on either the gable ends or the side eave walls.

Warranty

In addition to the warranties provided by the component manufacturers, Probuilt Structures provides a full one year workmanship warranty on the structure. This warranty covers the structure even if the structure has owner upgrades such as water or electrical installed, or interior framing, as long as the installation of any upgrades does not compromise the structural integrity of the building in any way.



24x40x9 / 16x8 Sect.



Coil Doors



24x30x12



24x30x10



30x25x9



40x30x12 - 3 Sided

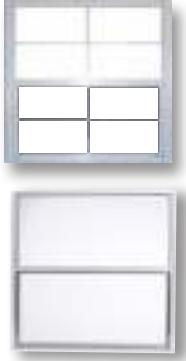
Walk Doors

Walk doors are available in standard white solid doors, as well as white Colonial doors with 9-lite windows



Windows

Window options include standard non grid windows as well as Colonial windows with grids in the panes. Standard size is 30x30, with other size upgrades available upon request.



Closure Strips

Optional foam closure strips are preformed foam strips that are installed between the trim and the sheet, or between the sheet and the steel frame to limit the gaps, thereby decreasing the light and open spaces in the corners. Although they do not form a completely sealed connection, and are not light or air tight and will still have some smaller gaps, they will fill in the gaps considerably.



20x50x14



12x35x12

Insulation

Optional Bubble Foil Insulation is available for roof and side walls on your building, providing a radiant barrier and helping with R-factor to decrease the energy transfer from the metal.



RLM Management, Inc, the parent company of Probuilt Structures, has been in the construction industry since it's founding in 2001 building homes. RLM Management opened their first Probuilt Structures sales location in Lecanto, Florida. Over the years we have been blessed with the opportunity to help thousands of customers in their quest for an accessory structure. Probuilt Structures begins with the customer's concept and design and follows the project through to completion and final inspection. We have experience working with municipalities, finance companies, sub-contractors, inspectors, and vendors to help make your building a reality.



20x30x12



18x40x12 w/ 15' Lean-to



24x25x9 w/ 12' Lean-to



22x36x10 w/ 10' Lean-to

Lecanto 527-3500	Dunnellon 489-2000	Homosassa 628-3000	Crystal River 795-8000	Ocala 237-5000	Williston 528-8000	Leesburg 365-6000
----------------------------	------------------------------	------------------------------	----------------------------------	--------------------------	------------------------------	-----------------------------